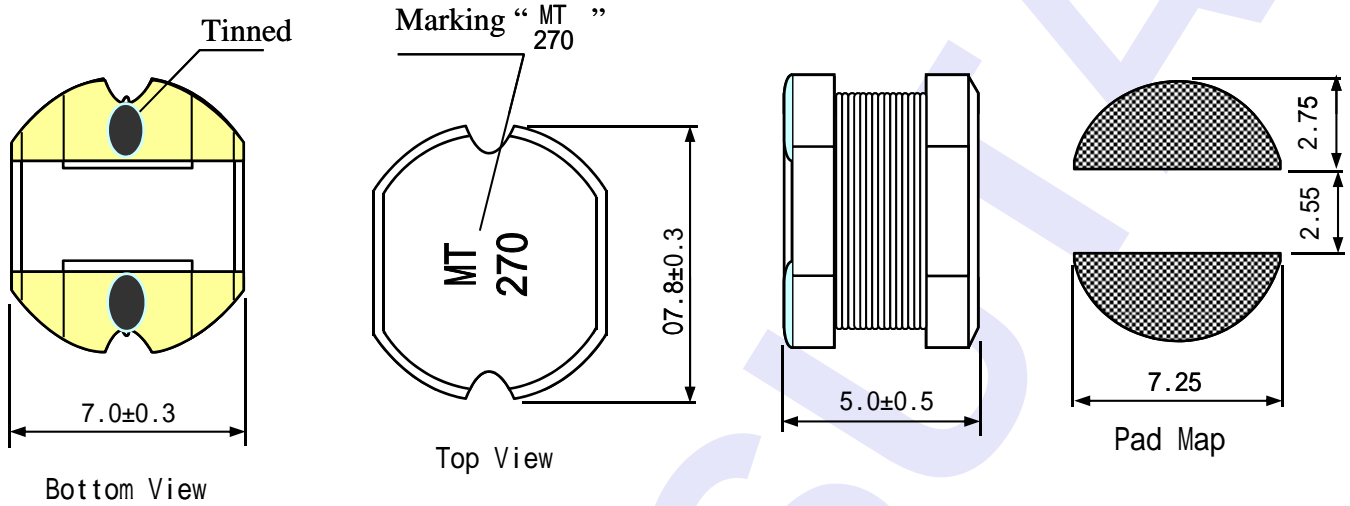


<b>CUSTOMER:</b>	<b>REF NO :</b>		
<b>DESCRIPTION:</b>	SMT75-270K	<b>VERSION:</b> A	<b>PAGE:</b> 1/1

### SPECIFICATION

DIMENSION: mm



### ELECTRONIC CHARACTERISTICS

### MATERIALS

**INDUCTANCE:** 27 $\mu$ H $\pm$ 10%

**CORE:** DL5 CDR7.8x5RC

**DC RESIST:** 120m $\Omega$  max

**Rated DC Current:** 1.55A max

**NOTE:**

1. L tested by LCR meter CH-100LCR (f=1KHz/025V)
2. IDC tested by meter CH-301A+CH-100LCR
3. DCR tested by meter CH-502AC (at 25°C)
4. Rated Current applied when inductance drop not more than 10% or temperature rise t 40°C whichever is lower.

APP	CHK	DRG

<b>SAMPLE NO.</b>	
<b>MATSUTA NO.</b>	68-075270320
<b>SPEC. NO.</b>	
<b>ISSUE DATE.</b>	2011/11/03

MATSUTA CO.,LTD.

Flat 15, 10/F, Block B, Tonic Industrial Centre,  
19 Lam Hing Street, Kowloon Bay, Hong Kong.

Tel: (852) 2796 6693

Fax: (852) 2796 3530, 2754 5674

E-mail: matsuta@matsuta.com.hk

Web site: <http://www.matsuta.com>