

1 2 3 4 5 6 7 8

REVISIONS		
ISS	ZONE	DESCRIPTION\PER REQUEST\DATE

REMARK: RoHS REQUIREMENT APPLIED
(符合 RoHS)

F

F

E

E

D

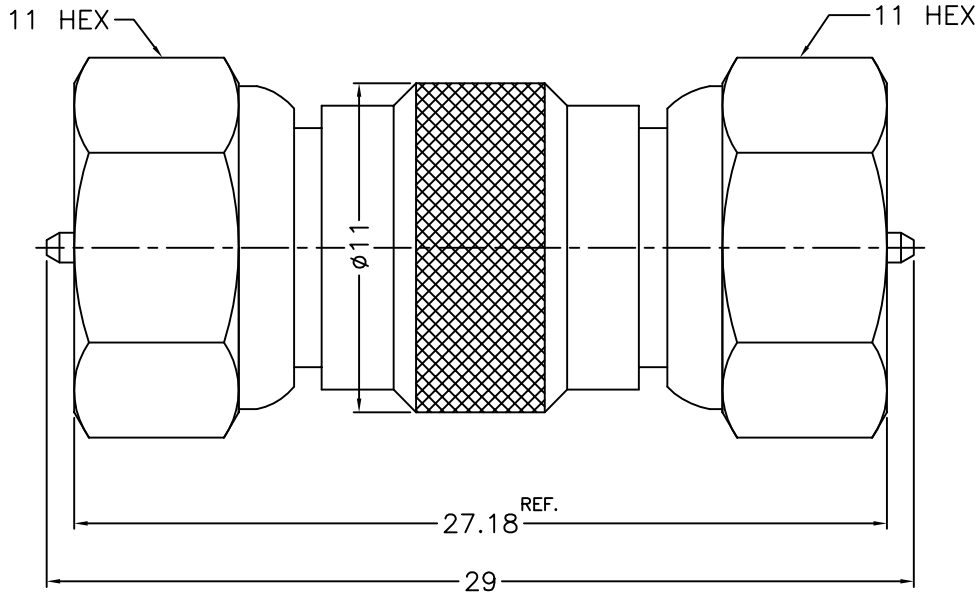
D

C

C

B

B



NOTES: FINISH (PLATING THICKNESS IN MICRO-INCHES)
1. BRASS
2. NICKEL PL. 100 MIN. THICK OVER COPPER PL. 50 MIN. THICK

A

A

					DIMENSIONS ARE IN MILLIMETERS				PART NO.		G.L.I.		
					UNLESS OTHERWISE SPECIFIED TOLERANCES				APPROVED				
					0.5-6 = ±0.2						05-11-'12		
					6-30 = ±0.4				CHECKED		DATE		
					30-120 = ±0.6						05-11-'12		
					120-315 = ±1				DRAWN		DATE		
					315-1000 = ±1.6						05-11-'12		
					1000-2000 = ±2.4						FILE NO. R:\D\G\DWG\3832\2071A1\75D		
5	SHELL	NOTE 1	NOTE 2	2		SCALE	4/1	ISSUE	A	TITLE F MALE TO MALE ADAPTOR DRAWING NO. 3832-2071A1-75D			
4	LOCK RING	NOTE 1	NOTE 2	1									
3	CONTACT PIN	NOTE 1	NOTE 2	1									
2	INSULATOR	DELTRIN	NATURAL	2									
1	BODY	NOTE 1	NOTE 2	1									
NO.	DESCRIPTION	MATERIAL	FINISH	Q'TY	DRAWING NO.								

1 2 3 4 5 6 7 8